



Dimensions

Length overall.....	36,85 m
Breadth.....	10,0 m
Moulded depth.....	2,7 m
Draft ballast / laden.....	2,01 m
Height from keel to fixed vessel parts.....	12,5 m
Gross tonnage.....	400 t
Net tonnage.....	111 t
Deadweight.....	134,45 t
Water displacement.....	453,45 t
Max speed.....	7-8 knots

Tank capacity

Fuel type/capacity.....	diesel/57 t
Oil.....	5 m ³
Fresh water.....	19,1 m ³
Fresh water generator.....	8,5 m ³ /day
Sewage waters.....	4 m
Bilge water.....	4 m ³
Mud.....	1 m ³

Power unit

Main engines.....	2x370 hp
Propellers.....	2xCPP
Generator.....	2x200 kWt, 1x50 kWt
Ship's power mains.....	450 kWt/230 V, 50 Hz

Towing and deck equipment

Stem automated hydraulic winch.....	Fluidmechanica CHR7-27-IT-RED-H
Towing wire rope.....	1x500 m, diameter – 29 mm 1x270 m, diameter – 27 mm
Stern hydraulic winch.....	1 pc
Towing hook.....	bollard pull – 10 t
Cargo deck.....	20 t
- dimensions.....	7,6x9,6 m
- loading.....	1 t/m ²
Crane.....	Palfinger PK18500MD
Crane cargo capacity.....	2 m – 5000 kg, 14,4 m – 780 kg
Other towing equipment: shackles 10/351, rope tow bridle 3x15 m, emergency synthetic towing wire rope 1x220 m, conductor with buoy, mob boat for 6 persons with 25 hp outboard motor	

Radio navigation equipment

MF/HF DSC.....	1xSamyung SRG-2150DN
VHF DSC.....	1xSamyung STR-6000A
VHF.....	2xSamyung STR-6000A JHS-770S
Inmarsat-C.....	1xJRCJUE-85
VHF for inland water ways.....	2xErmak SR-360
Radar transponder.....	2 pcs
Satellite buoy.....	1 pc
GMDSS area.....	A1+A2+A3
Radar.....	1xJRC RADAR JMA-5312-6
AIS.....	1xSamyung SI-30R
Echo sounder.....	1xJRCJFE-380
Speed log.....	1xJRCJLN-205
NAVTEX.....	1xFuruno NX-500
Magnetic compass.....	1 шт.
Satellite compass.....	1 JRC JRL-20
GPS.....	1xSamyung SPR-1400
Satellite.....	Iridium open port

Additional equipment

Sewage waters treatment set.....	ECOMAR 16
Bilge water separator.....	Sailor S 3-40
Fresh water generator.....	RWO SKIT/S-DEB
Launching gear.....	0,9 t/3,5 m
Freezing chest for samples.....	300 l

Basic information

Flag.....	Russian Federation
Home port.....	Arkhangelsk
Classification.....	RRR M-SP 3.5 (Ice 40) A
Built/modernized.....	1992/2012
Place of building.....	Chaikovsky Maintenance Base
Project.....	18782/RDB.50.01.M4
Purpose.....	towage, mooring, expeditionary works supply



Accommodation

Crew 7 persons
 Special personnel..... 15 persons
 Cabins:
 - single..... 1
 - double..... 6
 - three-berth 3
 Laboratory, cook room, mess room, laundry, sanitary facilities, sauna

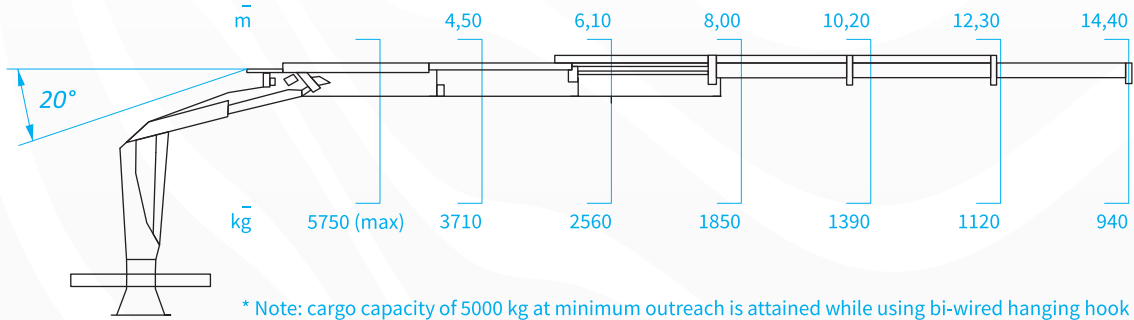
Sea endurance

Fuel at max speed 30 days
 Sewage waters (under way/berthed) no limit
 Fresh water (under way/berthed) no limit

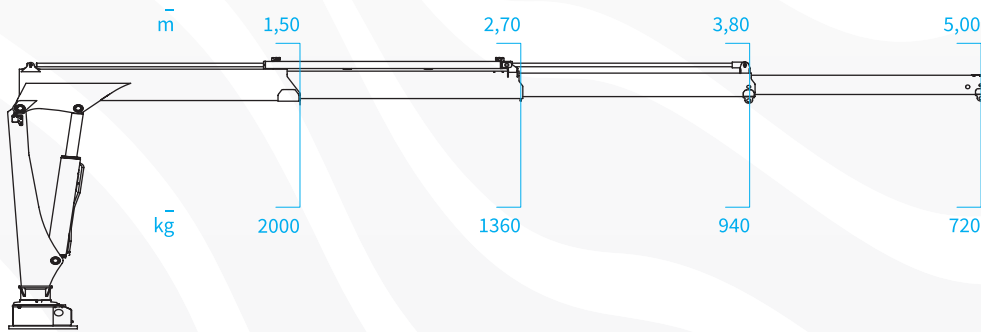
Rescue equipment

Float boats 4x20 persons
 Life vests 28 pcs
 Drysuits 26 pcs

Cargo capacity of crane Palfinger PK18500MD at different outreach with windlass



Cargo capacity of crane Palfinger PC3800 at different outreach



All figures provided with good faith but without guarantee

Arkhangelsk office
 Pomorskaya st., 32, 3rd floor
 Tel.: +7 (8182) 65-09-00
 Fax: +7 (8182) 65-61-11
 office@belfreight.ru

Murmansk office
 Karla Marksa st., 19, office 410
 Tel.: +7 (8152) 45-61-81
 Fax: +7 (8152) 45-97-13
 office@murmansk.belfreight.ru

belfreight.ru



Belfreight